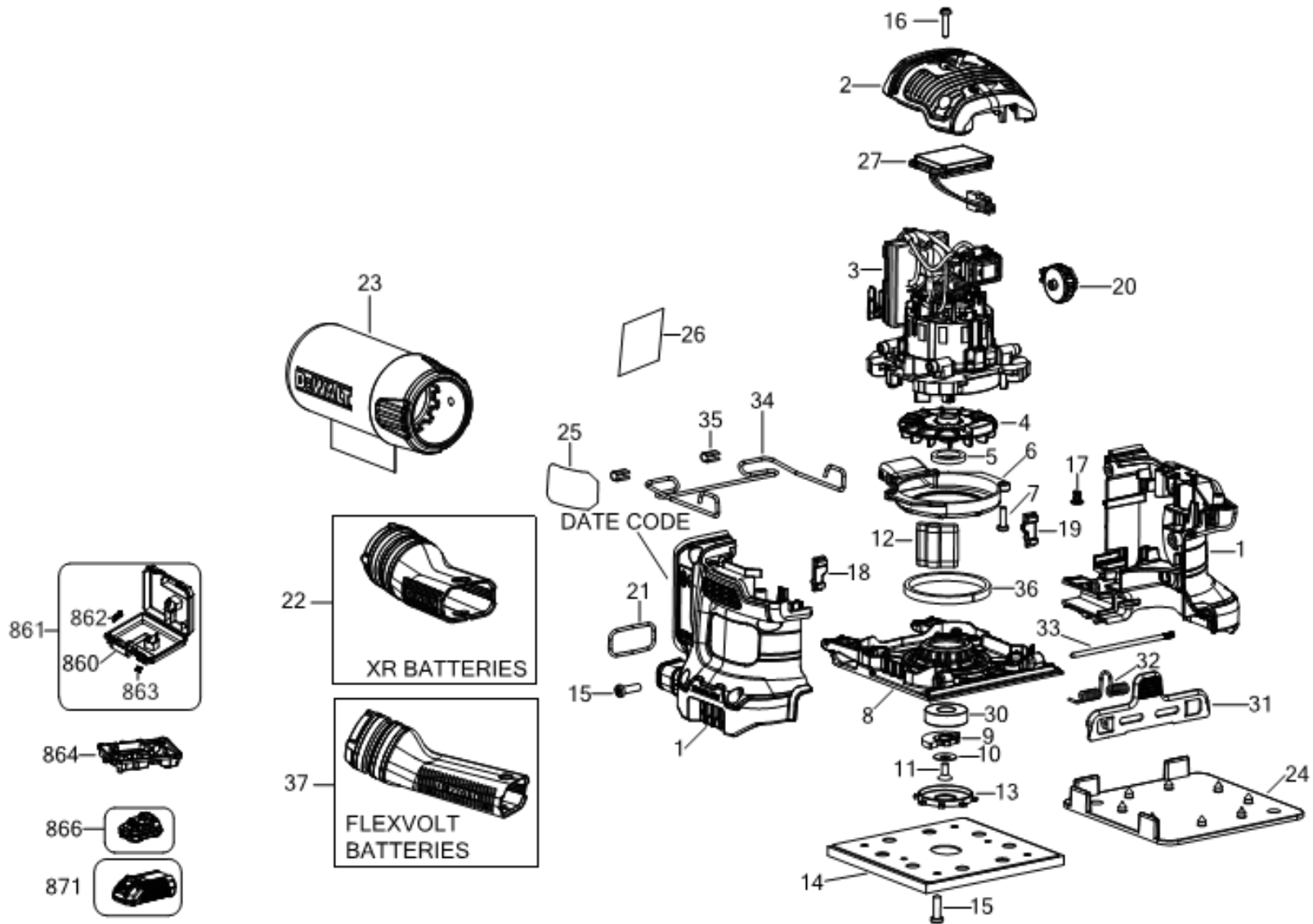




DCW200

TYP.  
1



©

## Parts List DCW200 RANDOM ORBITAL SANDER 1

Item	Part Number	Qty	Part Description	General Description	Other Info	Repair Inst	Markets
1	N697716	1	CLAMSHELL SET			No	QW
2	N603948	1	HOUSING TOP			No	QW
3	NA039901	1	MOTOR & SWITCH SA			No	QW
4	N689070	1	FAN			No	QW
5	N416160	1	SEAL			No	QW
6	N596411	1	BAFFLE FAN			No	QW
7	330019-02	2	SCREW			No	QW
8	NA146881	1	PLATEN	SSA PLATEN 1/4 SHEET		No	QW
9	N360702	1	COUNTERWEIGHT			No	QW
10	N345099	1	WASHER			No	QW
11	098012-11	1	SCREW			No	QW
12	N472412	4	LEG			No	QW
13	N402677	1	END CAP			No	QW
14	N492998	1	PAD SA			No	QW
15	330019-12	11	SCREW			No	QW
16	330019-03	4	SCREW			No	QW
17	N453948	1	SPRING			No	QW
18	N239159	1	BUMPER			No	QW
19	N239160	1	BUMPER			No	QW
20	N581601	1	SPEED REGULATOR			No	QW
21	N129171	1	O RING			No	QW
22	N637726	1	DUST PORT		XR	No	QW
22	N684701	1	DUST PORT		BATTERY FLEXVOT	No	QW
23	N273733	1	DUST BAG SA		BATTERIES	No	QW
24	144954-00	1	PUNCH			No	QW
25	N684722	1	RATING PLATE			No	QW
26	N684723	1	LABEL			No	QW
27	N747818	1	MODULE			No	QW
30	605040-24	1	BEARING			No	QW
31	N464703	1	CLAMP			No	QW
32	N360481	1	SPRING			No	QW
33	N396569	1	PIN			No	QW

## Parts List DCW200 RANDOM ORBITAL SANDER 1

Item	Part Number	Qty	Part Description	General Description	Other Info	Repair Inst	Markets
34	N366359	1	CLAMP			No	QW
35	N369879	2	CLIP			No	QW
36	N372479	1	SEAL			No	QW
860	H1400196008	2	HANDLE		DCW200P2-	No	QW
861	N279261	1	KITBOX	DWST1-17807	NT DCW200P2-	No	QW
862	N409477	1	LATCH		NT	No	QW
863	P910190	2	LATCH		DCW200P2-	No	QW
864	N751439	1	FOAM		NT	No	QW
866	N394624	1	BATTERY 18V - 5.0AH - 90WH		DCW200P2	No	QW
871	N450536	1	CHARGER SA	DCS565P2-QW / DCB115	DCW200P2	No	QW